

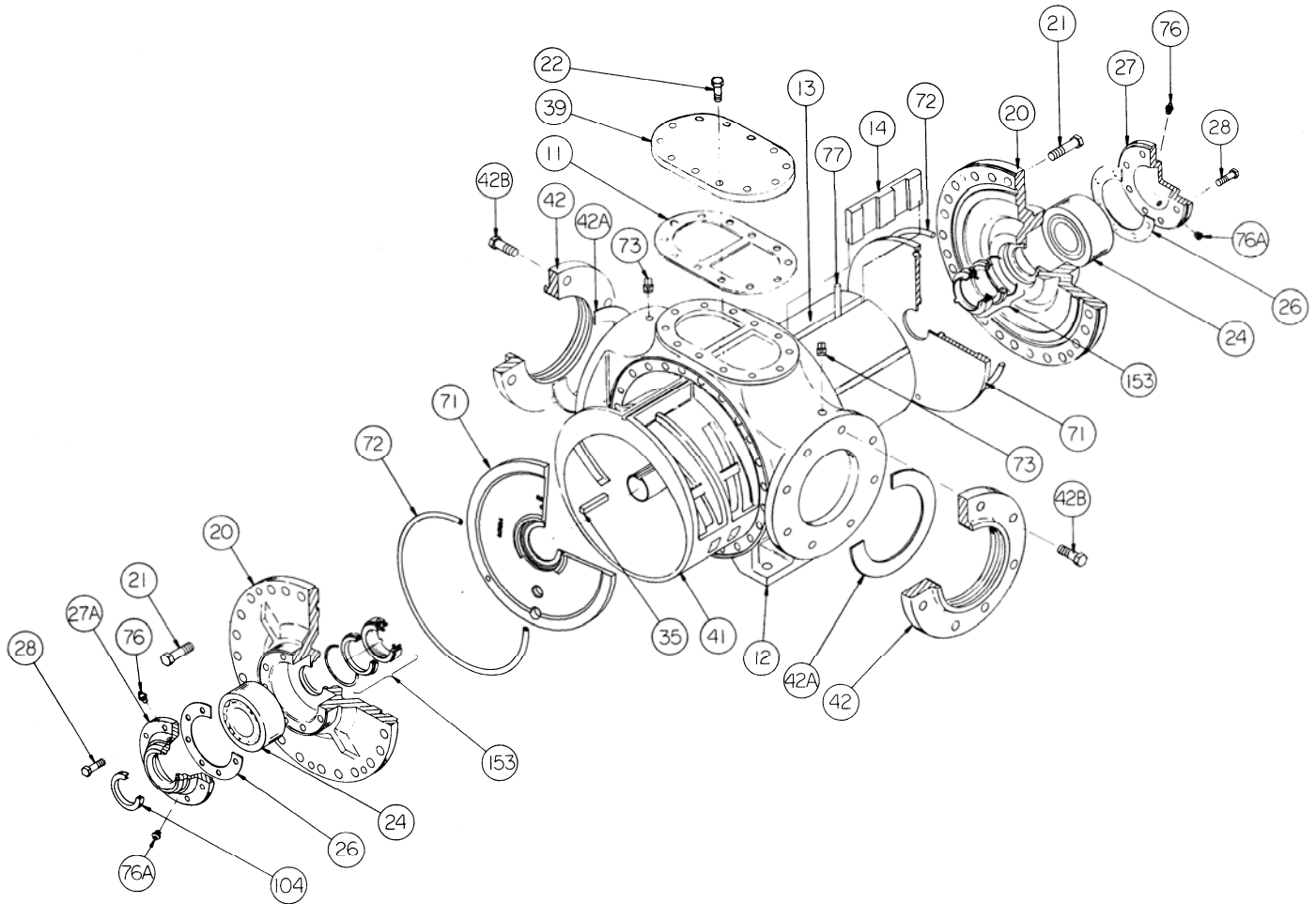
# BLACKMER PARTS LIST

## PUMP MODEL: HXL6G

967221      **PARTS LIST**  
Page 1 of 2      **102-A01**

Keep with Instructions 102-A00 for Installation, Operation and Maintenance

Section      102  
Effective      Mar 2013  
Replaces      Feb 2010



Ref. No.	Description	Parts per Pump	Part No.	Ref. No.	Description	Parts per Pump	Part No.
11	Gasket - Blanking Plate	1	<sup>1</sup> 537252	35	Key - Shaft	1	<sup>1</sup> 909193
12	Casing <sup>3</sup>	1	017218	39	Blanking Plate	1	497208
13	FS Rotor & Shaft	1	<sup>2</sup> 287239	41	Liner	1	<sup>2</sup> 187205
	EC Rotor & Shaft		287240	42	Flange	2	657204
14	Vane - EC Laminate (Std.)	6	<sup>1</sup> 097207	42A	Gaskets - Flange	2	<sup>1</sup> 387511
	Vane - EC Cast Iron		097253	42B	Capscrews - Flange	16	920780
	Vane - EC Bronze		097254	71	Discs	2	<sup>2</sup> 067205
20	Heads	2	037208	72	O-Ring-Head (FKM)	2	<sup>1</sup> 711972
21	Capscrews - Head	32	920680	73	Gage Plug	2	908198
22	Capscrews - Blanking Plate	10	920640	76	Grease Fitting	2	317815
24	Bearings	2	<sup>1</sup> 903269	76A	Grease Relief Fitting	2	701992
26	Gasket - Bearing Cover	2	<sup>1</sup> 386926	77	Push Rod	3	<sup>1</sup> 127207
27	Bearing Cover - Outboard	1	046905	104	Grease Seal	1	<sup>1</sup> 904183
27A	Bearing Cover - Inboard	1	046909	—	Kit — Maintenance	—	898912
28	Capscrews - Bearing Cover	16	920510	—	Kit — Rebuild	—	899012

<sup>1</sup> Included in Maintenance Kit and Rebuild Kit      <sup>2</sup> Included in Rebuild Kit

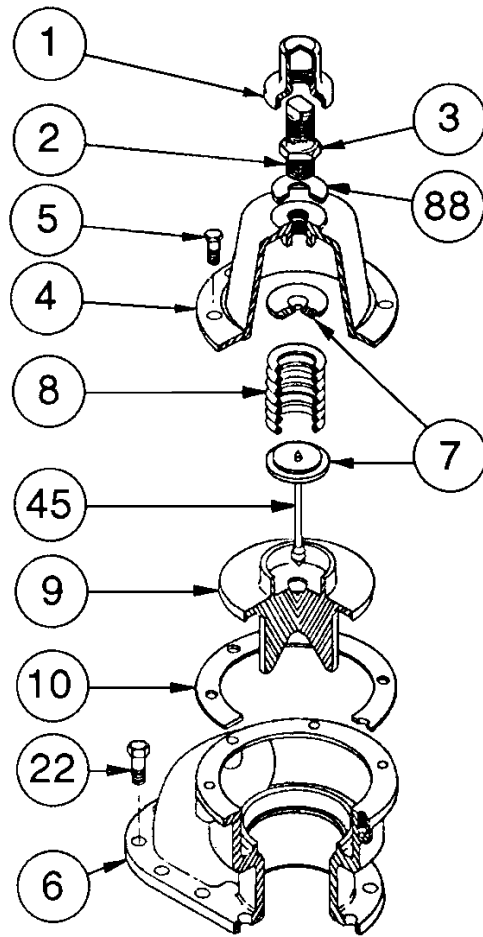
<sup>3</sup> Includes liner locating pin 930549 at 12 o'clock position.

FS = Full Size      EC = Extra Clearance

**RELIEF VALVE - OPTIONAL**

Ref. No.	Part Name	Parts Per Pump	Part No.
1	Cap – Relief Valve (R/V)	1	417710
2	Adjusting Screw – R/V	1	437205
3	Locknut – Adjusting Screw	1	436655
4	Cover – R/V	1	417200
5	Capscrews – R/V Cover	6	920640
6	Body – R/V	1	407208
7	Spring Guide – R/V	2	427200
8	Spring – R/V (46-80 psi)	1	477805
	SS Spring – R/V (81-125 psi)		477204
9	Valve – R/V	1	457215
10	Gasket – R/V Cover	1	536606
22	Capscrews – R/V Body	10	920640
45	Guide Rod – R/V	1	427205
88	Gasket – R/V Cap	1	536652

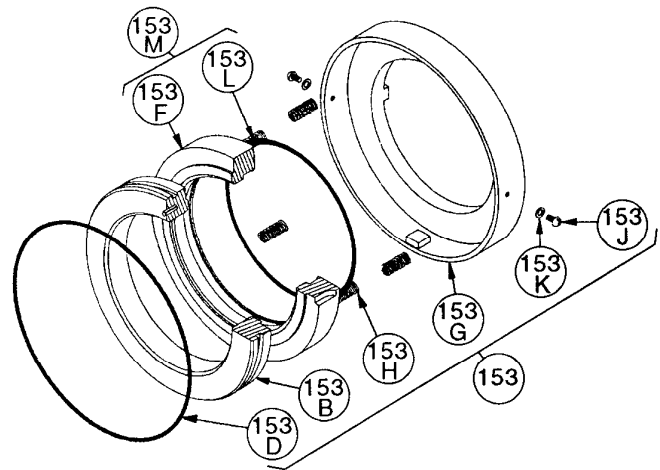
SS = Stainless Steel



**MECHANICAL SEAL - STANDARD**

Ref. No.	Part Name	Parts Per Pump	Part No.
153	Mechanical Seal Asy. (RVCV)	2	<sup>2</sup> 337765
153B	Stationary Seat (Ni Resist)	2	337738
153D	O-Ring - Stationary (FKM)	2	701968
153F	Rotating Seal Face (Carbon)	2	337746
153G	Seal Jacket	2	337753
153H	Seal Springs	12	337716
153J	Screw - Seal Jacket	4	922740
153K	Lockwasher - Seal Jacket	4	909608
153L	O-Ring - Rotating (FKM)	2	701921

<sup>2</sup> Included in Maintenance Kit and Rebuild Kit



**MECHANICAL SEAL - OPTIONAL**

Ref. No.	Part Name	Parts Per Pump	Part No.
153	Mechanical Seal Asy. (RVBV)	2	337764
153B	Stationary Seat (Ni Resist)	2	337738
153D	O-Ring - Stationary (FKM)	2	701968
153F	Rotating Seal Face (Bronze)	2	337751
153G	Seal Jacket	2	337753
153H	Seal Springs	12	337716
153J	Screw - Seal Jacket	4	922740
153K	Lockwasher - Seal Jacket	4	909608
153L	O-Ring - Rotating (FKM)	2	701921



1809 Century Avenue, Grand Rapids, Michigan 49503-1530, U.S.A.  
 Telephone: (616) 241-1611 / Fax: (616) 241-3752  
 E-Mail: blackmer@blackmer.com / Internet: www.blackmer.com